

ATLANTIC

WINCHES



Car Trailer Brake Winch



PRODUCT	CAPACITY	GEAR RATIO	CABLE AND HOOK TYPE
CTW2500R	2500kg (5500lb)	15:1	15m x 10mm Rope with Snap Hook

Our Car Trailer Brake Winch includes a 10mm Rope with pulling capacity up to 2500kg. The self actuating automatic braking mechanism ensures the suspension and 'jerk-free' movement when lowering a load under pressure.

For more information call 1300 214 049, visit our website at atlanticproducts.com.au or email sales@atlanticproducts.com.au

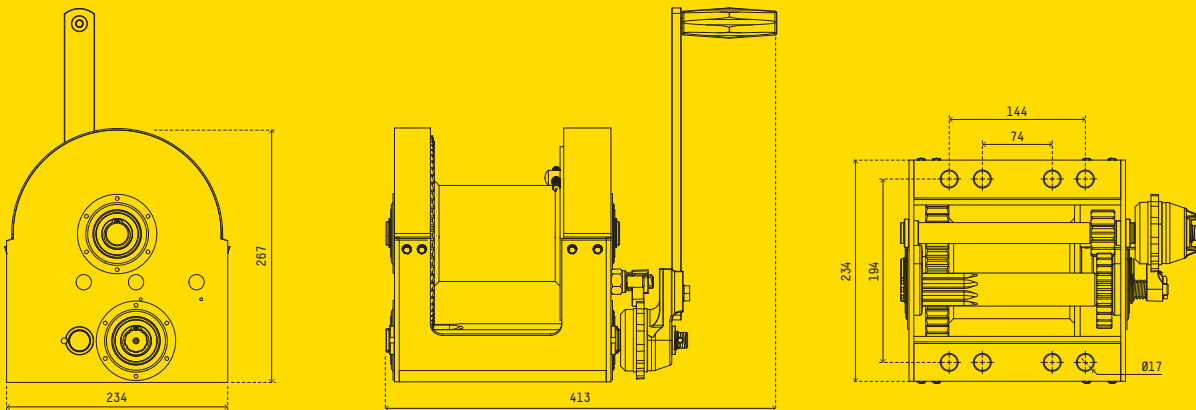


ATLANTIC

WINCHES

CTW2500R

GEAR RATIO	15:1
CABLE/WEBBING/ROPE TYPE	Atlantic Rope
HOOK TYPE	Snap Hook
APPLICATION (VESSEL TYPE)	Incline Pull (Car Trailer)
CABLE/WEBBING/ROPE LENGTH (MAXIMUM LENGTH)	15m x 10mm (45m x 6mm)
CAPACITY	2500kg (5500lb)
ULTIMATE BRAKING LOAD	7176kg
ULTIMATE TENSILE STRESS	70.38kN
RATCHET TYPE	Self Actuating
UNIT WEIGHT	26.0kg
TOTAL DIMENSIONS (W X H X D)	413 x 267 x 234
BARCODE NUMBER	9337451004075



15:1 CAR TRAILER BRAKE WINCH DIMENSIONS

For more information call 1300 214 049, visit our website at atlanticproducts.com.au or email sales@atlanticproducts.com.au

