

- Chain Hoists
- Lever Hoists
- Hoisting Assemblies
- Plate Clamps
- Girder Trolleys
- Girder Clamps
- Wire Rope Winches

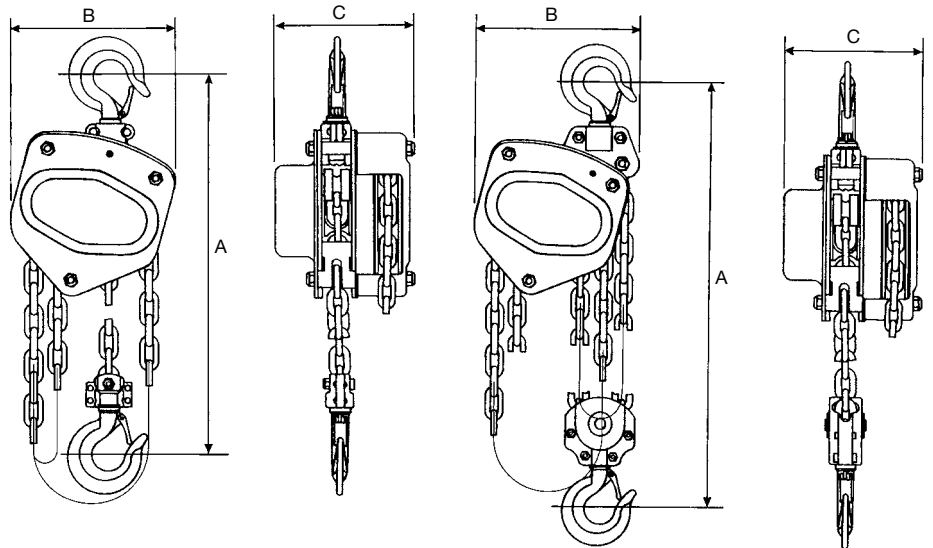


'S' Series Chain Hoists

Capacities: 500kg to 50 tonnes

FEATURES

- Lightweight robust construction
- Super strength alloy loadchain
- Fully machined liftwheel
- Minimum headroom
- Minimum effort to raise maximum load
- Cast steel safety latches
- Lower hook complete with thrust race
- Fully enclosed gear train
- Weather protected automatic Weston brake with unique Twin Pawls
- Galvanised handchain as standard
- Durable baked enamel paint protection
- Stainless Steel labels
- Spare parts always available



0.5, 1, 1.5 & 2 tonne

3 & 5 tonne



Optional Chain Bags available.

Product Code	SOCB05	SOCB1	SOCB1.5	SOCB2	SOCB3	SOCB5	SOCB10
Working Load Limit	0.5t	1 t	1.5t	2 t	3 t	5 t	10 t
Standard lift	3 m	3 m	3 m	3 m	3 m	3 m	3m
Falls of chain	1	1	1	1	2	2	4
Effort to lift W.L.L.	23 kg	30 kg	32 kg	35 kg	27 kg	41 kg	39 kg
Net weight	10 kg	12 kg	13 kg	22 kg	32 kg	46 kg	68 kg
Loadchain diameter	6 mm	6 mm	8 mm	8 mm	8 mm	10 mm	10 mm
CLEARANCE DIMENSIONS (mm)							
A (Headroom)	270	317	399	414	465	636	750
B (Width)	127	158	187	187	210	253	373
C (Depth)	131	140	161	161	161	161	184
Hook opening (upper)	30	28	36	33.5	40	50	64
Hook opening (lower)	30	28	36	33.5	40	50	64

• N.B. Specifications and dimensions for 20, 30 & 50 tonne available on application.

COMPLIES WITH AS/NZS1418.2

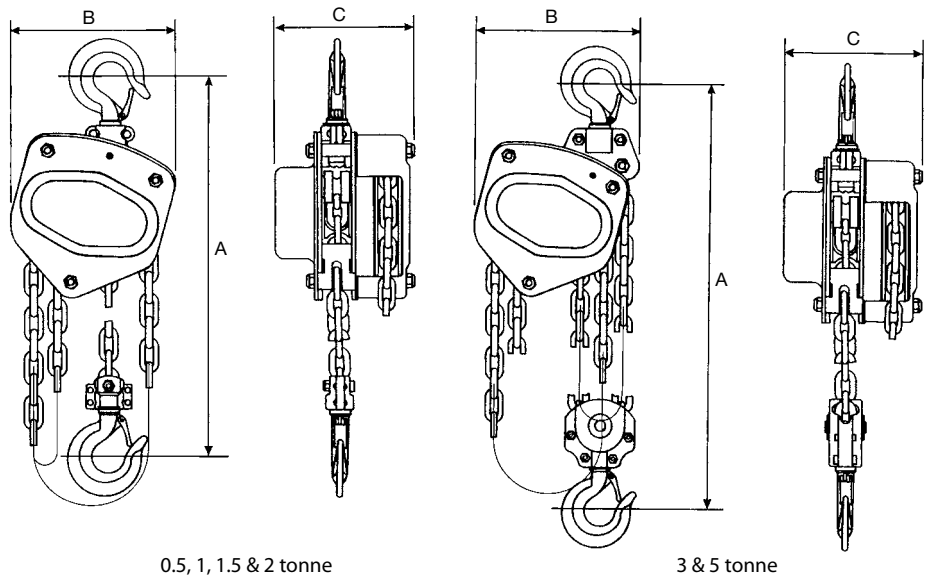
Meets or exceeds all relevant world standards

Loadsafe Chain Hoists

Capacities: 500kg to 30 tonnes

FEATURES

- Lightweight robust construction
- Super strength alloy loadchain
- Fully machined liftwheel
- Minimum headroom
- Minimum effort to raise maximum load
- Cast steel safety latches
- Lower hook complete with thrust race
- Fully enclosed gear train
- Weather protected automatic Weston brake with unique Twin Pawls
- Galvanised handchain as standard
- Durable baked enamel paint protection
- Stainless Steel labels
- Spare parts always available



Product Code	SOCB05	SOCB1	SOCB1.5	SOCB2	SOCB3	SOCB5	SOCB10
Working Load Limit	0.5t	1 t	1.5t	2 t	3 t	5 t	10 t
Standard lift	3 m	3 m	3 m	3 m	3 m	3 m	3m
Falls of chain	1	1	1	1	2	2	4
Effort to lift W.L.L.	23 kg	30 kg	32 kg	35 kg	27 kg	41 kg	39 kg
Net weight	10 kg	12 kg	13 kg	22 kg	32 kg	46 kg	68 kg
Loadchain diameter	6 mm	6 mm	8 mm	8 mm	8 mm	10 mm	10 mm
CLEARANCE DIMENSIONS (mm)							
A (Headroom)	270	317	399	414	465	636	750
B (Width)	127	158	187	187	210	253	373
C (Depth)	131	140	161	161	161	161	184
Hook opening (upper)	30	28	36	33.5	40	50	64
Hook opening (lower)	30	28	36	33.5	40	50	64

• N.B. Specifications and dimensions for 20 & 30 tonne available on application.

COMPLIES WITH AS/NZS1418.2

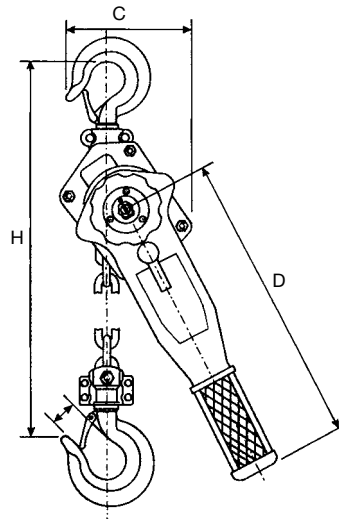
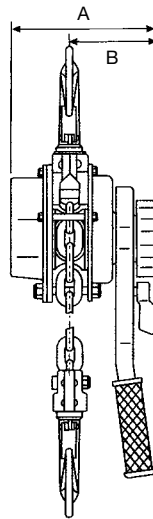
Meets or exceeds all relevant world standards

Loadsafe Lever Hoists

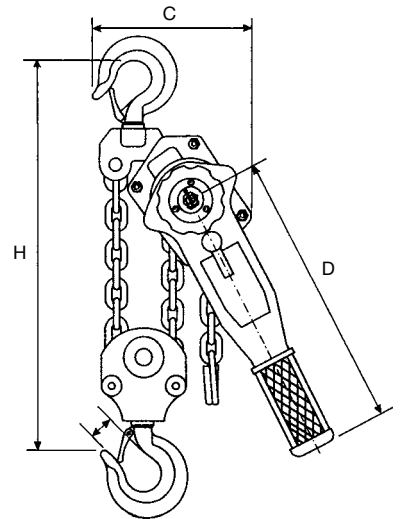
Capacities: 750kg to 9 tonnes

FEATURES

- Robust all-steel construction
- Super strength alloy loadchain
- Minimum effort to raise maximum load
- Fully enclosed gear train
- Weather protected automatic Weston brake
- Fully machined liftwheel
- Cast steel safety latches
- Malleable hook forgings
- All gears and shafts running on roller bearings or bushes
- Durable baked enamel paint protection
- Stainless Steel labels
- Spare parts always available



0.75, 1.5 & 3 tonne



6 tonne

Product Code		SOLB075LS	SOLB150LS	SOLB300LS	SOLB600LS	SOLB900LS	
Working Load Limit	Tonnes	0.75	1.5	3	6	9	
Standard Lift	m	1.5	1.5	1.5	1.5	1.5	
Test Load	kN	11.3	22.5	45	90	135	
Headroom H	mm	325	380	480	620	700	
Effort on lever to lift full load	kg	14	22	32	34	36	
No. of load chain falls		1	1	1	2	3	
Diameter of load chain	mm	6	8	10	10	10	
Length of lever handle: D	mm	280	410	410	410	410	
Clearance	mm	A	148	172	200	200	200
		B	90	98	115	115	115
		C	136	160	180	235	316
		E	30	35	40	50	60
Net Weight	kg	7	11	21	31	47	

COMPLIES WITH AS/NZS1418.2

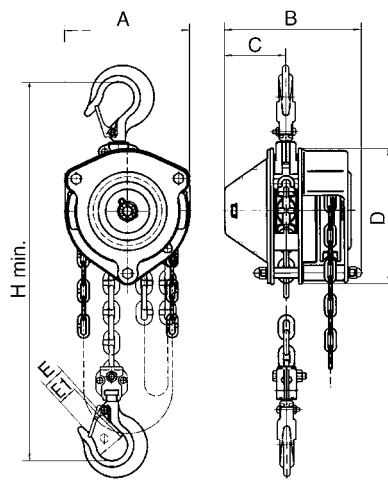
Meets or exceeds all relevant world standards

Hand Chain Hoist

Capacity: 250kg

FEATURES

- Lightweight robust construction
- Chrome plated covers
- Super strength alloy loadchain
- Minimum headroom
- Thrust race in lower hook
- Fully enclosed gear train
- Galvanised hand and loadchain
- Minimum effort to lift W.L.L.
- Spare parts always available



Model		OMCB025
W.L.L.	tonnes	0.25
Lift	m	2
Test load	t	0.375
Headroom (hook to hook)	H min. mm	230
Effort to lift full load	N kg	12
No. of load chain fall lines		1
Load chain (dia. x pitch)	mm	ø4 x 12
Dimensions	A	100
	B	110
	C	48.5
	D	109
	E	18
	E1	15.5
	ø	25
Net weight	kg	3.5
Extra weight per metre of extra lift	kg	0.54

COMPLIES WITH AS/NZS1418.2

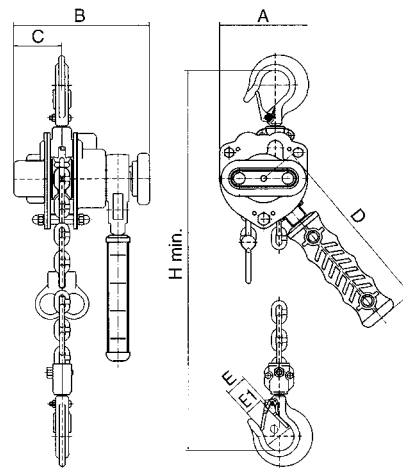
Meets or exceeds all relevant world standards

Hand Lever Hoists

Capacities: 250kg and 500kg

FEATURES

- Lightweight robust construction
- Chrome plated covers
- Super strength alloy loadchain
- Minimum headroom
- Fully enclosed gear train
- Galvanised load chain
- Minimum effort to lift W.L.L.
- Spare parts always available



Model		OMLB025	OMLB05
W.L.L.	tonnes	0.25	0.5
Lift	m	1	1.5
Test load	t	0.375	0.75
Headroom (hook to hook)	H min. mm	215	255
Effort to lift full load	kg	13	18.5
No. of load chain fall lines		1	1
Load chain (dia. x pitch)	mm	ø4 x 12	ø5 x 15
Dimensions	A	75	90
	B	116	135
	C	41	51.5
	D	157	180
	E	18	24
	E1	15.5	21
	ø	25	32
Net weight	kg	2	3.5
Extra weight per metre of extra lift	kg	0.35	0.55

COMPLIES WITH AS/NZS1418.2

Meets or exceeds all relevant world standards

Lever Hoists

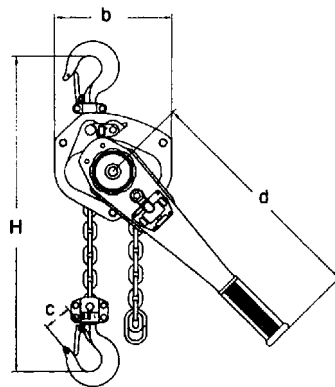
Capacities: 750kg to 6 tonnes

FEATURES

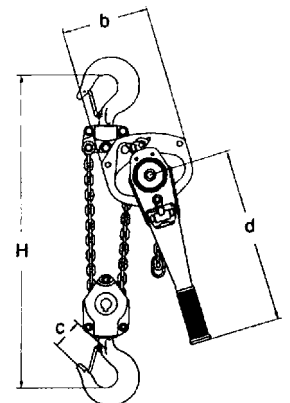
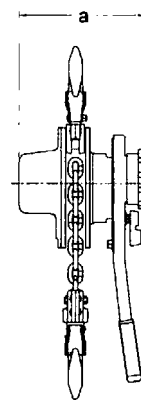
- Robust all steel construction
- Simple Free-wheel operation
- Super strength alloy loadchain
1.5t, 3t and 6t models fitted with Grade 100 chain
- Powder coated paint finish
- Stainless steel name plates
- Cast steel safety latches
- Four pocket liftwheel
- Forged malleable hooks with wide throat opening and deformation indicators
- Test certificate and instruction manual supplied with every hoist
- Spare parts always available

IMPORTANT FEATURE

- Minimal pre-load required to activate brake



0.75, 1, 1.5 & 3 tonne



6 tonne

Capacity (tonnes)	Model No.	No. of Falls	Chain dia. (mm)	Load Chain Grade	Effort to Lift Rated Load (kg)	Net Wt. with 1.5m Lift (kg)	Extra Wt. per m (kg)	Dimensions (mm)				
								a	b	c	d	H
0.75	OMLB075	1	6.3	80	15	6.9	0.85	148	128	37	256	295
1.5	OMLB150	1	7.1	100	18	9.7	1.11	163	148	47	368	335
3	OMLB300	1	9.0	100	38	16.3	1.77	191	181	62	368	405
6	OMLB600	2	9.0	100	39	26.7	3.55	191	244	78	368	550

COMPLIES WITH AS/NZS1418.2

Meets or exceeds all relevant world standards

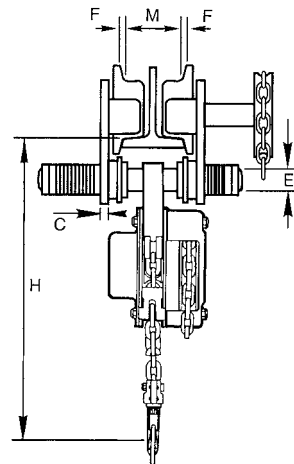
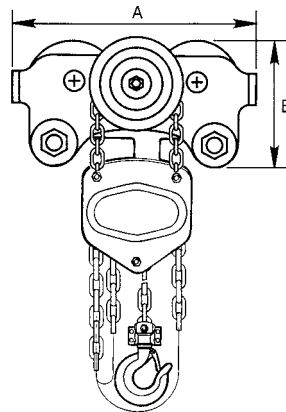
Combined Hoisting Assembly

'S' Series Chain Block Close Coupled to Push or Geared Girder Trolley Capacities: 1 tonne to 5 tonnes



FEATURES

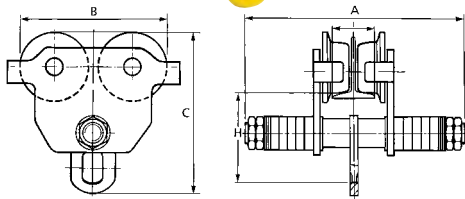
- Hoist and trolley integrated offers minimum headroom and theft protection
- Robust all steel construction
- Minimum effort to raise load
- Super strength alloy steel chain
- Stainless steel name plates
- Durable baked enamel paint protection
- Weather protected Weston brake
- Cast steel safety latches
- Spare parts always available
- Overload protection offered as optional extra



Product Code	OCHRG1/0	OCHRG2/0	OCHRG3/0	OCHRG5/0	
Rated Capacity tonnes	1	2	3	5	
Test load kN	15	30	45	75	
Min. radius m	1	1.2	1.4	1.6	
Pulling force to lift full load N	40	70	65	100	
Standard Lift m	3	3	3	3	
Dimensions mm	A	277	302	363	436
	B	170	194	230	260
	C	10	12	14	18
	D	283	295	304	330
	E	M22	M27	M30	M42
	F	≈3	≈3	≈3	≈3
Beam width mm	58-180	58-180	74-180	98-180	
Min. headroom H mm	375	438	593	741	

COMPLIES WITH AS/NZS1418.2

Meets or exceeds all relevant world standards



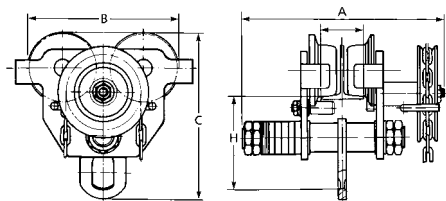
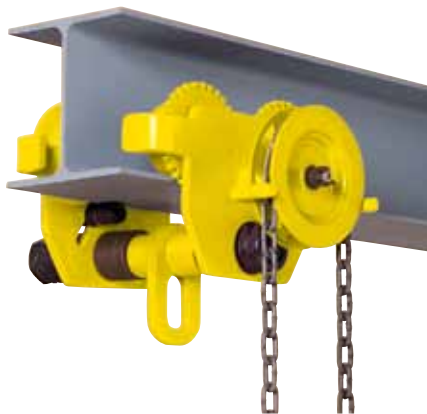
Push type

Capacities: 500kg to 10 tonnes

FEATURES

- Lightweight robust construction
 - Super-quick adjustment to any monorail
 - Durable baked enamel paint protection
 - Precision ball bearing trolley wheels
- COMPLIES WITH AS/NZS1418.2

Product Code		OPT05	OPT1	OPT2	OPT3	OPT5	OPT10
Rated Capacity		0.5 t	1 t	2 t	3 t	5 t	10 t
Adjustable Beam Width	mm	64-152	64-210	88-210	102-210	114-210	125-210
Clearance Dimensions	mm						
	A	254	318	335	357	368	405
	B	216	260	300	345	395	455
	C	195	239	286	336	393	500
	H	110	135	161	185	220	280
Min. Radius Curve	m	.9	1.0	1.1	1.3	1.4	1.7
Net Weight	kg	8	14	21	36	51	90



Geared type

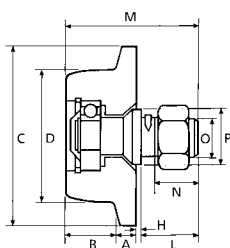
Capacities: 1 tonne to 50 tonnes

FEATURES

- Lightweight robust construction
 - Super-quick adjustment to any monorail
 - Durable baked enamel paint protection
 - Precision ball bearing trolley wheels
- COMPLIES WITH AS/NZS1418.2

Product Code		OGT1	OGT2	OGT3	OGT5	OGT10
Rated Capacity		1 t	2 t	3 t	5 t	10 t
Adjustable Beam Width	mm	64-210	88-210	102-210	114-210	125-210
Clearance Dimensions	mm					
	A	380	390	513	430	468
	B	260	300	345	395	470
	C	239	286	336	393	500
	H	135	161	188	220	280
Min. Radius Curve	m	1.0	1.1	1.3	1.4	1.7
Net Weight	kg	18	27	43	60	105

• N.B. Specifications for 20, 30 & 50 tonne WLL available on application.



Trolley Wheels Single Flange Plain Type

Capacities: 500kg to 10 tonnes

FEATURES

- Trolley wheels have a machined thread for smooth operation on both R.S.J. or Universal beams
 - All steel construction
 - All wheels come complete with ball bearing, axle, nut, dust cover and circlip
- AVAILABLE IN CAST IRON OR FULLY FORGED

Oz Blok Product Code	Trolley Capacity on 4 wheels	Wheel Dia. D mm	A mm	B mm	C mm	Axles					
						H mm	L mm	M mm	N mm	O mm	P mm
OTW05	500 kg	58	12	27	82	3	31	72	24	M20	32
OTW1	1 tonne	75	12	28	102	3	33	76	26	M20	32
OTW2	2 tonne	90	13	32	120	3	40	88	29	M24	36
OTW3	3 tonne	110	13	36	141	3	46	99	33	M30	42
OTW5	5 tonne	120	16	38	156	3	58	115	39	M36	48
OTW10	10 tonne	150	20	43	189	3	78	143	54	M48	67

Girder Clamps Girder Trolley with Clamp

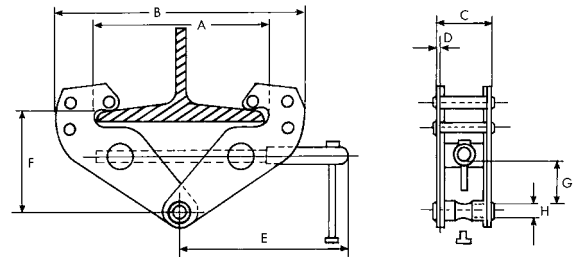


Girder Clamps

Capacities: 1 tonne to 10 tonnes

FEATURES

- Robust all-steel construction
- Durable baked enamel paint protection
- Super-quick adjustment to any girder width in range
- Spare parts always available



Product Code	Working Load Limit kg	Adjustable Beam Width mm	A max. mm	B		C mm	D mm	E mm	F		G min. mm	H mm
				min. mm	max. mm				max. mm	min. mm		
OGC1	1000	75-230	278	182	380	64	4	217	150	90	26	19
OGC2	2000	75-230	278	182	380	74	6	217	150	90	26	21
OGC3	3000	80-320	356	220	500	100	8	277	220	145	50	23
OGC5	5000	90-320	356	220	500	112	10	277	220	145	47	29
OGC10	10000	90-320	356	250	520	120	12	285	230	160	52	39

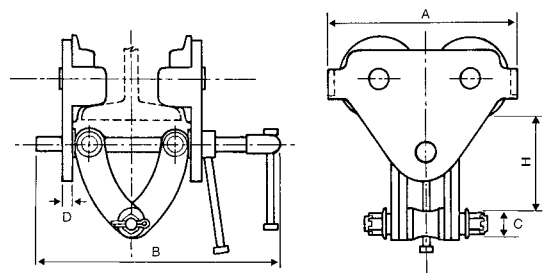
COMPLIES WITH AS4991

Girder Trolley with Clamp

Capacities: 1 tonne to 5 tonnes

FEATURES

- Robust all-steel construction
- Durable baked enamel paint protection
- Super-quick adjustment to any girder width in range
- Spare parts always available



Product Code	OGCT01	OGCT02	OGCT03	OGCT05		
Working Load Limit	kg	1000	2000	3000	5000	
Test load	kN	12.25	24.5	36.8	61.3	
Min. radius	mm	1.1	1.3	1.5	1.7	
Clearance Dimensions	mm	A	260	260	330	380
	B	340	340	360	480	
	C	ø20	ø20	ø24	ø24	
	D	10	12	14	19	
	H	171-232	237-285	160-200	225-280	
Beam width	mm	63-203	76-203	85-210	100-305	
Net Weight	kg	11	13	26	46	

COMPLIES WITH AS1418.2

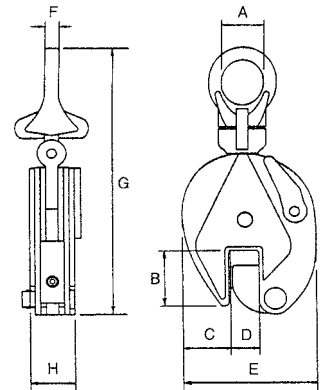


Plate Lifting Clamps

Universal Capacities: 500kg to 5 tonnes

FEATURES

- Strong all-steel construction
- Safety lock
- Wide plate acceptance
- Hardened pressure plate and tongue
- Durable baked enamel finish
- Spare parts available



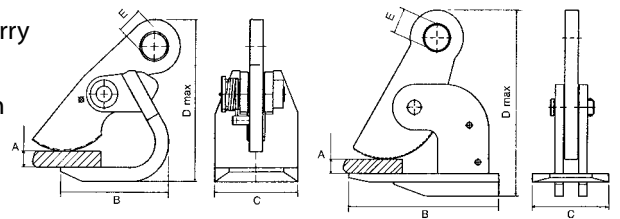
Product Code		OUVPC-05	OUVPC-1	OUVPC-2	OUVPC-3	OUVPC-5
Rated capacity	t	0.5	1	2	3	5
Test Load	kN	7.35	14.7	29.4	44.1	73.5
Max. Jaw opening	mm	15	20	25	30	50
Dimensions	A	30	48	68	74	80
	B	43	63	76	85	90
	C	34.5	51	59	56	65
	D	0 - 17	0 - 22	0 - 27	0 - 32	0 - 52
	E	103	138	164	193	240
	F	10	12	16	20	22
	G	212	294	370	418	450
	H	36	50	52	78	88
Net Weight	kg	2	4.8	6.5	15	23
Volume	cm	23 x 5 x 11.5	31 x 7 x 16	38 x 8 x 19	45 x 11 x 22	48 x 14 x 27

COMPLIES WITH AS4991

Horizontal Capacities: 1.5tonne to 5 tonnes

FEATURES

- Compact size and easy to carry
- Strong all-steel construction
- Durable baked enamel finish
- Lightweight and safe
- Spare parts available



Product Code		OHPC15	OHPC30	OHPC50	
Rated capacity	tonnes p/pair	1.5	3	5	
Test load	tonnes p/pair	3.0	6.0	10.0	
Max. Jaw Opening	mm	50	50	60	
Dimensions	A	0 - 52	0 - 52	0 - 62	
	B	127	220	260	
	C	100	110	130	
	D max	218	270	315	
	E	f30	f36	f49	
Net. Weight	kg	single	4.3	7.7	14.1
	pair		8.6	15.4	28.2
Volume	cm	17 x 12 x 24	26 x 13 x 20	30 x 15 x 23	

COMPLIES WITH AS4991



Recovery Winches & Load Brake Winches

Wire Rope Recovery Winches

Capacities: 800kg, 1600kg & 3200kg

FEATURES

- Extremely versatile to safely lift, pull, lower or stretch loads over long distances.
- Can be used in horizontal, vertical or angled working positions.
- Lightweight and compact design.
- High strength alloy housing with durable chrome finish to protect against rust.
- All internal components galvanised.
- Unique wire rope reeler allows for easier and safer rope storage.
- The rope gripping system is easily disengaged, allowing smooth installation of the wire rope.
- The reliable parallel gripping system has a large surface contact area providing an evenly distributed grip at a lower force.
- Built in overload protection by a shear pin arrangement in the forward lever. Broken shear pins can be replaced without removing the load.
- Spare shear pins are supplied with units.
- Equipped with an anchor bolt, offering numerous connection possibilities with wire ropes and chain slings.
- Swivel hooks are available for replacing anchor bolts as required.



Model Code		WPH-08	WPH-16	WPH-32
Rated Lifting Capacity	tonnes	0.8	1.6	3.2
Rated Pulling Capacity	tonnes	1.3	2.6	5.2
Rope advance per full stroke cycle	mm	>52	>55	>28
Operating effort at rated load	kg	29	40	45
Telescopic handle length	mm	800	1120	1120
Anchor Pin diameter	mm	22	25	30
Net weight (without rope)	kg	7.5	16	26
Diameter of wire rope	mm	8.5	11.5	16.5
Standard wire rope length	m	20	20	20
Net weight of wire rope and collector	kg	8	14	24

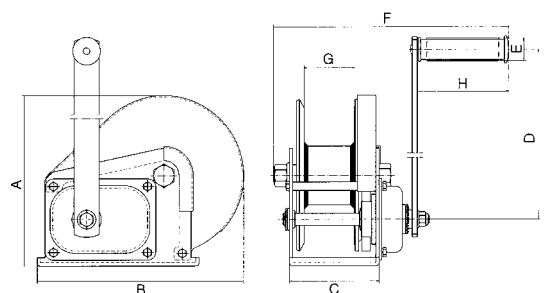
Stainless Steel Hand Winches

Capacities: 545kg, 820kg & 1200kg (Pulling)

FEATURES

- Compact design
- Stainless steel Grade 304
- Automatic braking system
- Fully enclosed gear train
- Suitable for marine environments
- Minimum handle effort to lift or pull W.L.L.
- Convenient fixing points in base
- Easy attaching of wire rope

COMPLIES WITH AS1418.2



Model		OSSBW545	OSSBW820	OSSBW1200
W.L.L.	Lifting	270	410	600
	Pulling	545	820	1200
Test Load	kg	800	1230	1800
Gear Ratio		4.2:1	5:1	10:1
Dimensions	A	156	203	216
	B	184	256	293
	C	88	107	127
	D	210	319	319
	E	27	27	27
	F	272	283	305
	G	51	60	63
	H	109	109	109
Net weight	kg	3.7	7.7	10.1
Volume	cm	16 x 16 x 22	35 x 20 x 23	35 x 24 x 24

Distributed by: